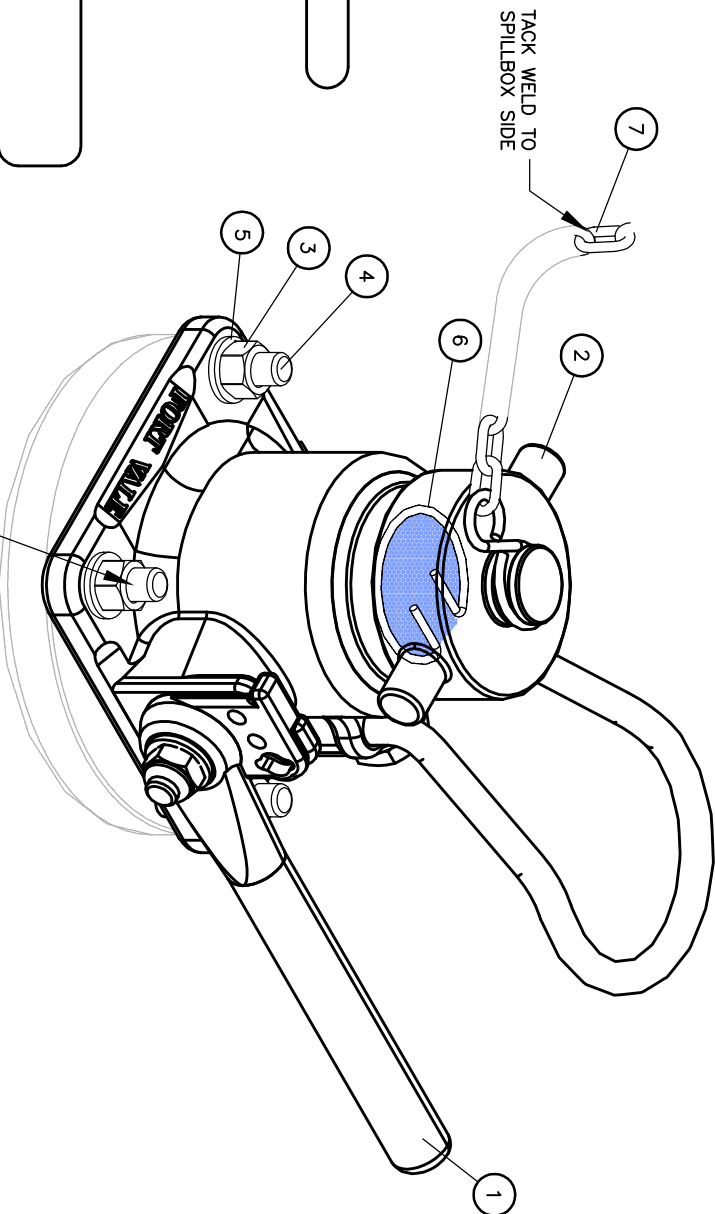


4xM10x40mm FULL STUD ON 103 PCD



ITEM QTY	DESCRIPTION	L	B	MATERIAL	PART NUMBER	Kg
7 1	RAW.CHN-Ø3X22X12X200M	350		Ø3, S/STEEL	RAW22123CHN-S	0.0
6 1	1½"SNAP RING+½"GAUZE FILTER			316L	ANCO0005NR-B	0.0
5 4	WASHER,SPRING-M10X2.5MM			S/S	M10025WSS-S	0.0
4 4	STUD,FULL-M10X40MM	40	10	S/S	M10040STF-S	0.0
3 4	NUT,HEX-M10			S/S	M10000NUT-S	0.0
2 1	ANC.CAS-½"BSP CAPTIVE LINK			S/S 316L	ANCO002CAS-A	0.0
1 1	BAL.FVL-RED,1½"BSP,530/00000G			S/S 316L	BAL0001FVL-A	1.9

0	21	201	1001	3001	1	1	1	1	1
1	20	200	1000	3000	10000	1	1	1	1
1	200	2000	20000	200000	2000000	1	1	1	1

UNLESS OTHERWISE STATED
 UNAUTHORISED REPRODUCTION AND
 OR USE OF THIS DRAWING AND IT'S
 CONTENTS ARE STRICTLY PROHIBITED.

PROJECTION: 1st ANGLE
 SCALE: 1:1
 DRAWN: CDOWLING
 CHECK: []
 DATE: 08/09/2004
 APPR: []
 Ver: 0

-1 10/09/07		Item 4 was M100345T-S	REVISIONS	BY
DATE:				
DESCRIPTION: AIR INLET-1.5" FVL BAL BSP, F,G 4xM10,103PCD,FV530/0000G				
DRAWING NR:		AIN0124JF0999-A		
FORMAT: A3H				

NOTE:
 WHEN ITEM 1 530/0000G IS FITTED ITEM 6 AND 7
 FORT VALE PART NR. EQUIVALENT WILL BE 530/0000FG